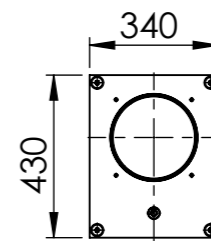
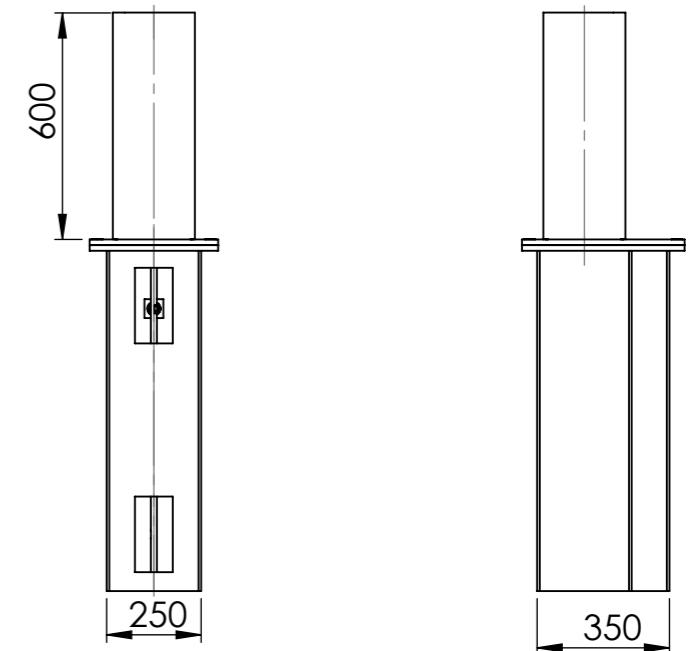
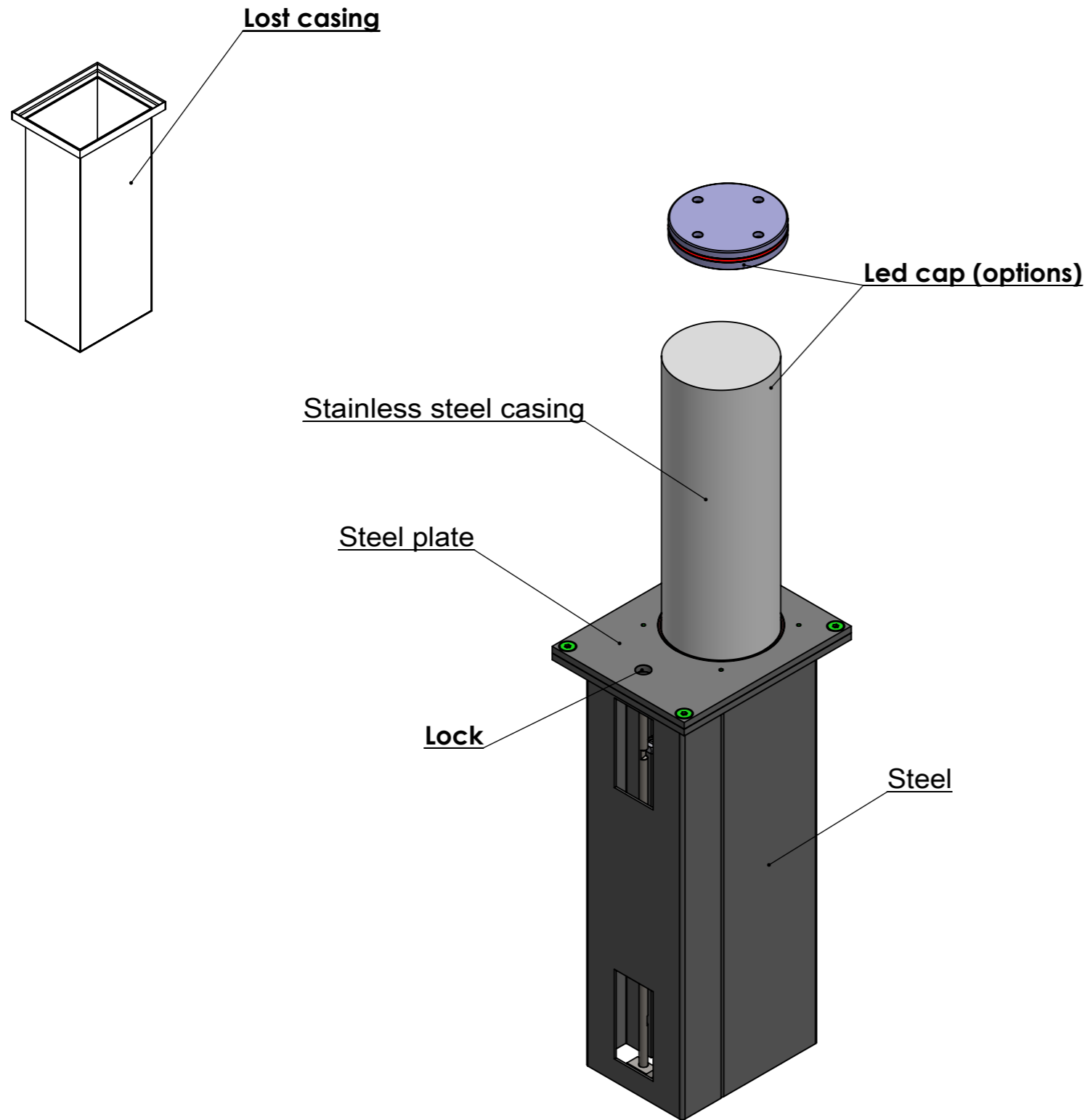

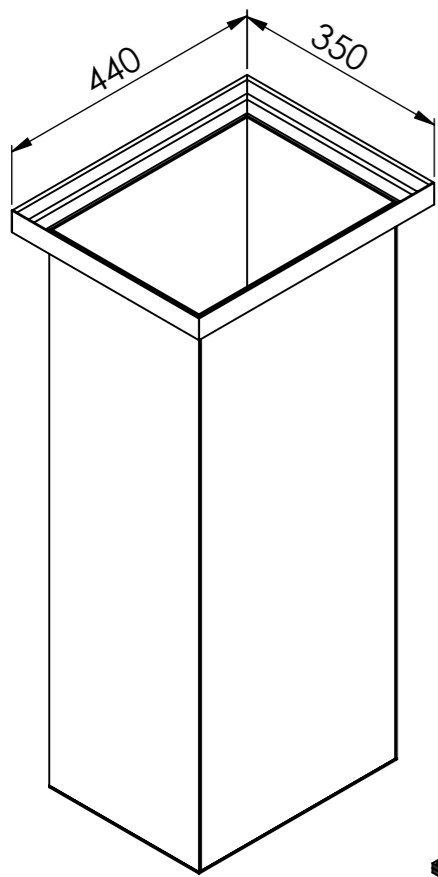


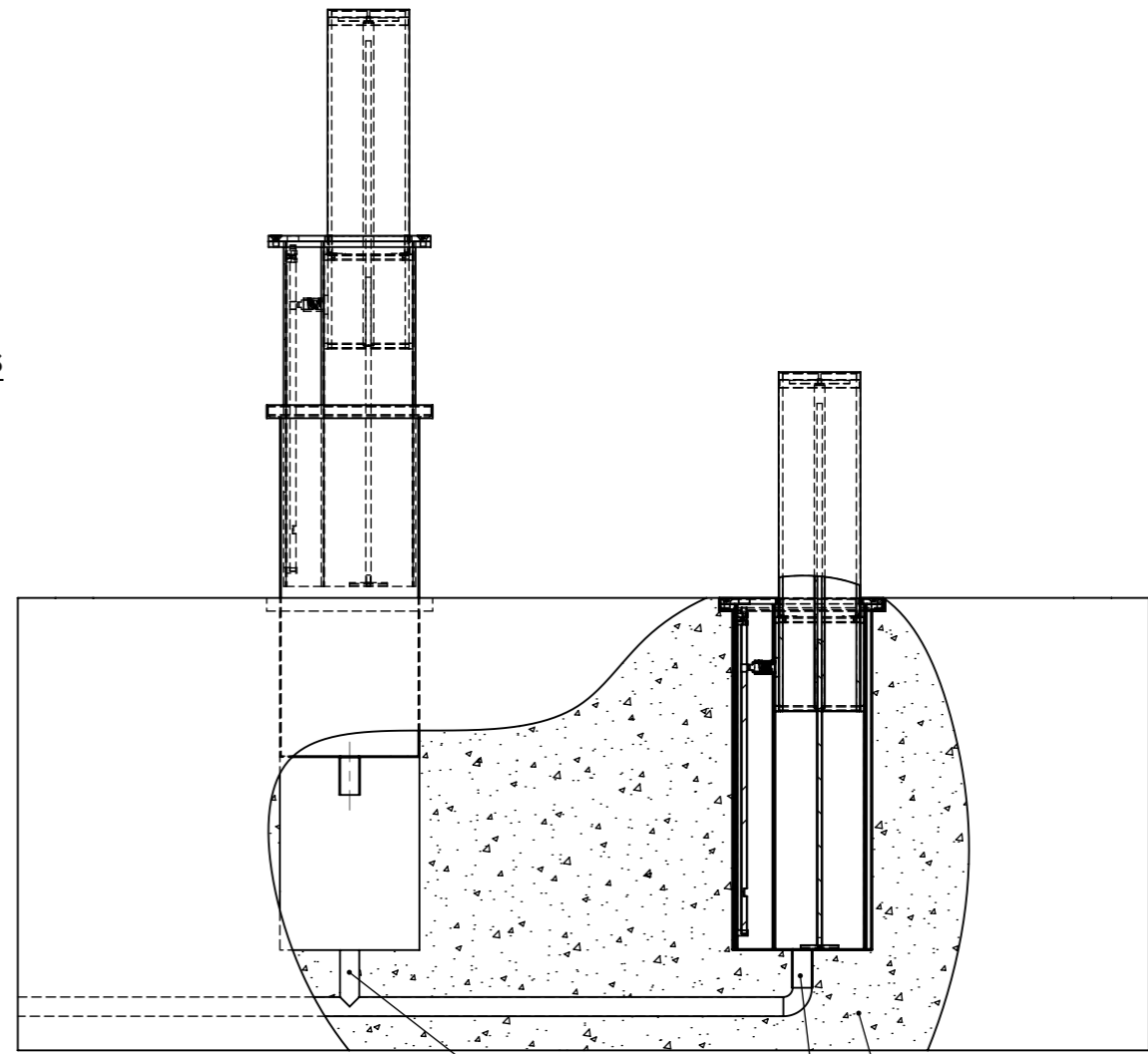
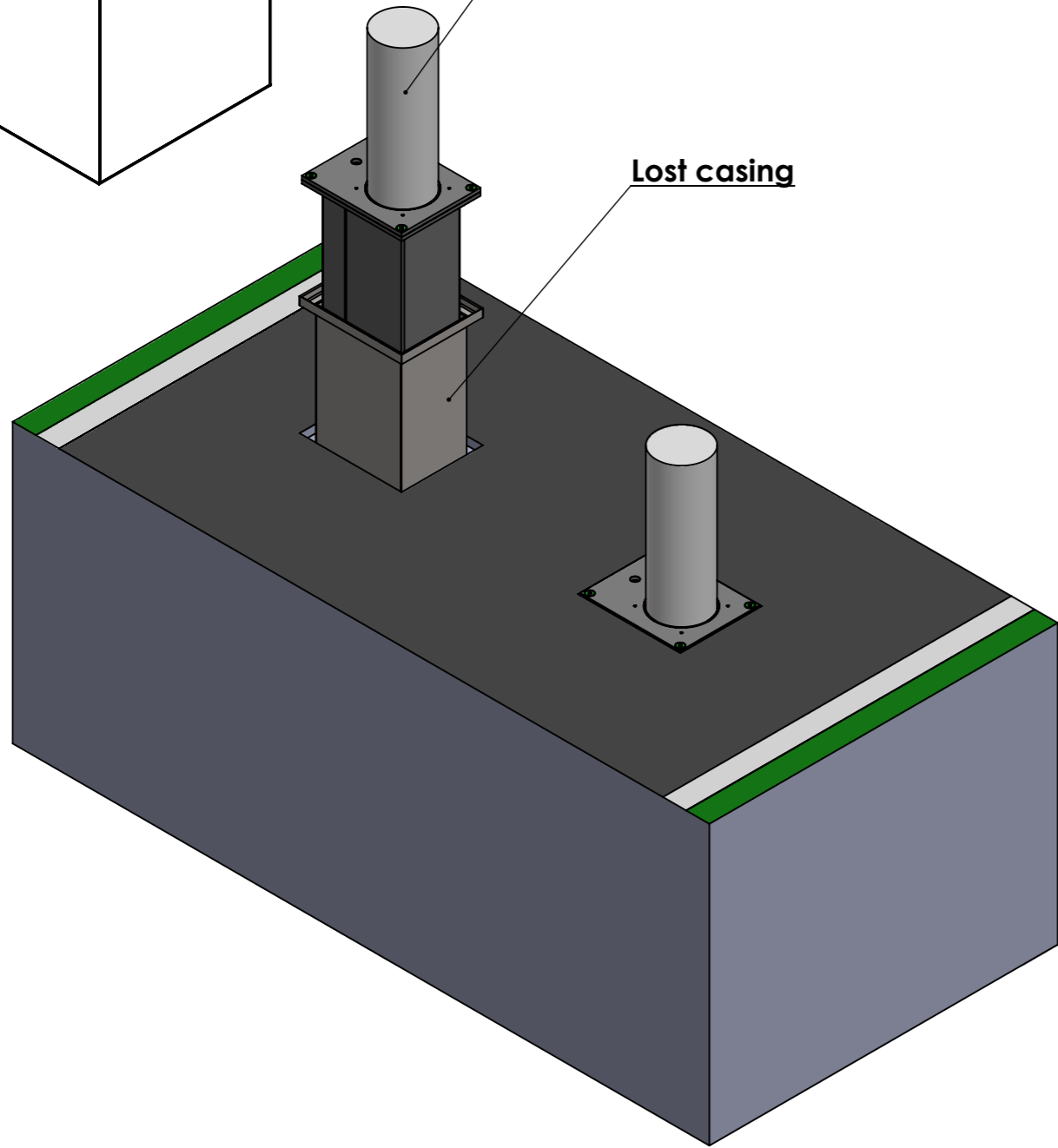
Bollard item: BS4000




UNLESS OTHERWISE SPECIFIED: DIMENSIONS ARE IN MILLIMETERS SURFACE FINISH: TOLERANCES: ± 0.1 mm. LINEAR: ± 0.5 mm. ANGULAR: $\pm 0.5^\circ$				FINISH:	Quant.	DO NOT SCALE DRAWING	REVISION
DRAWN				NAME	SIGNATURE	DATE	Project: Bollard item: BS4000 BGI Intelligent Barrier Solutions Site: www.bgibarriers.com Phone: 972-3-5500465 Fax: 972-3-5583113 E-mail: info@bgibarriers.com  BGI INTELLIGENT BARRIER SOLUTIONS
CHK'D							
APPV'D							
MFG							
Q.A							
				MATERIAL:		DWG NO.	A3
				WEIGHT:		SCALE:1:20	SHEET 1 OF 2
						BS4000-B.G.Ilanit-Final	



Bollard item: BS4000
Bollard type: Semi-automatic
Bollard stroke: 600 mm.
Diameter: 220 mm.
Power supply: Manually assisted
Maintenance: Service once every 3 years



Concrete
Drain pipe

UNLESS OTHERWISE SPECIFIED: DIMENSIONS ARE IN MILLIMETERS		FINISH:	Quant.	DO NOT SCALE DRAWING		REVISION
SURFACE FINISH:				Project: Bollard item: BS4000		
TOLERANCES: ±0.1 mm.				BGI Intelligent Barrier Solutions Site: www.bgibarriers.com Phone: 972-3-5500465 Fax: 972-3-5583113 E-mail: info@bgibarriers.com		
LINEAR: ±0.5 mm.				 BGI INTELLIGENT BARRIER SOLUTIONS		
ANGULAR: ±0.5°				DWG NO. BS4000-B.G.Ilanit-Final		A3
NAME	SIGNATURE	DATE		SCALE: 1:20		SHEET 2 OF 2
DRAWN						
CHK'D						
APPV'D						
MFG						
Q.A			MATERIAL:			
			WEIGHT:			